

# Fiber optic Baseband Video/Subcarrier Audio Multiplexer

Model **CL-12SC**



The rack-mountable CL-12SC fiber optic baseband video multiplexer is ideal for transmitting 1 channel of baseband video, 1 channel of an RF Audio Subcarrier (4.5 MHz) and up to 4 channels of baseband audio on one fiber optic cable. The CL-12SC operates by digitizing and multiplexing video, audio subcarrier and audio onto a high-speed serial cable.

Because the system employs 10-bit digital transmission techniques, performance characteristics are consistent and maintained over the specified distance with no degradation of signal.

There are no FM carriers that need to be tuned or that can drift over time. The low component count and use of custom ASICs increase system reliability and performance.

The CL-12SC is designed to work with standard singlemode or multimode fiber optic cable and can be wall mounted or rack mounted. Both transmitter and receiver come equipped with internal power supplies.

Built-in diagnostics LEDs for each channel; loss of link facilitate the continuous monitoring of all phases of operation.

## Features

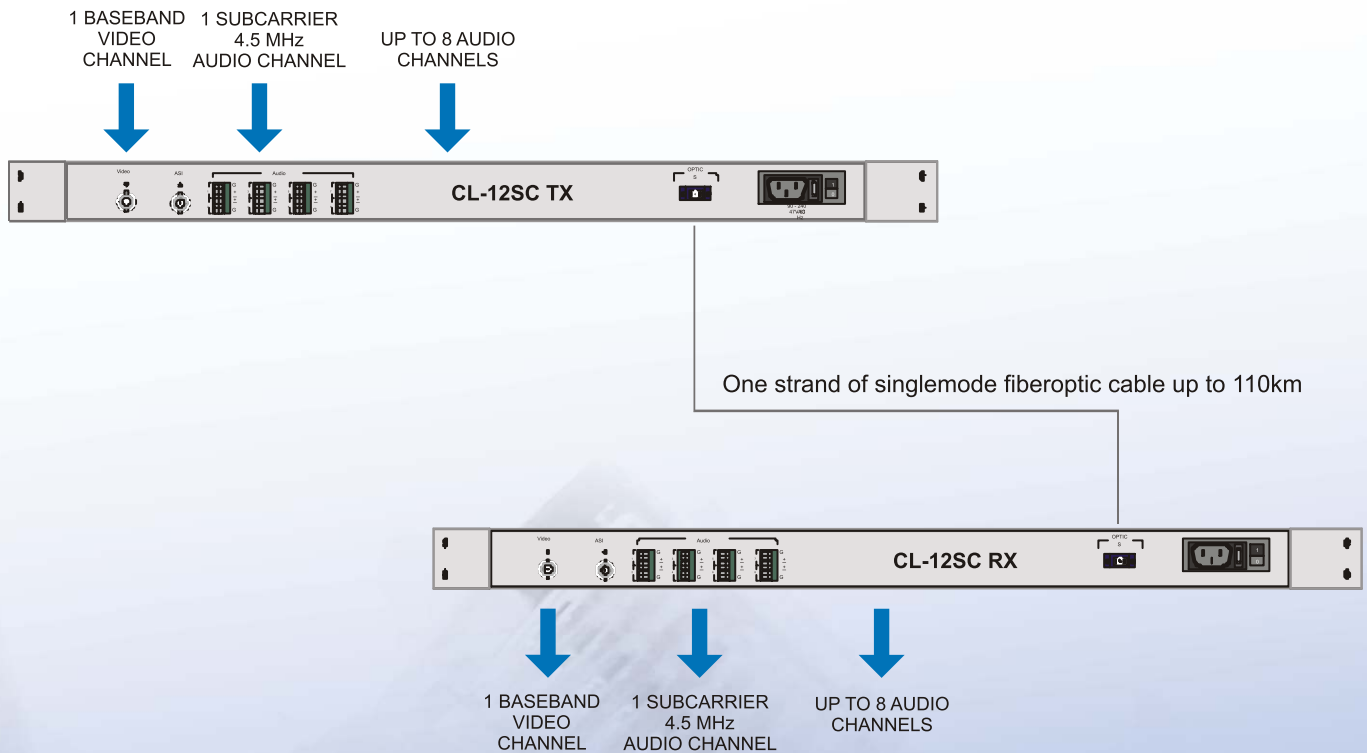
- High Quality 10-bit Digital Sampling of Video Input
- Digital Transmission of Audio Subcarrier Input for 4.5 MHz
- Baseband Video or composite Video/Audio Transmission
- Optional 2, 4 External Channel Audio Transmission
- External Audio Compatible with Balanced or Unbalanced Audio Formats
- Transmit up to 110km over one strand of fiber optic cable
- High Quality Uncompressed Digital Transmission
- 67 dB SNR
- Bidirectional Transmission available

## Model Selection

<b>CL-12SC-1V-2A-1S-SCA-40</b>	Fiber optic Video Mux, 1 Video, 2 Audio, Singlemode, SC/APC Connector, 40km
<b>CL-12SC-2V-4A-1S-SCA-40</b>	Fiber optic Video Mux, 1 Video, 4 Audio, Singlemode, SC/APC Connector, 40km
<b>CL-12SC-2V-4A-1S-SCA-80</b>	Fiber optic Video Mux, 1 Video, 4 Audio, Singlemode, SC/APC Connector, 80km

Other Connectors and Distances Available Upon Request

## Example Application



## Specifications

<b>Standards</b>	NTSC, PAL, SECAM
<b>Channels</b>	1 x Baseband Video, 1 x 4.5 MHz Audio Subcarrier, 2 or 4 Audio (optional)
<b>Video Bandwidth Audio Subcarrier SNR/dP/dG</b>	10 Hz to 6.5 MHz 10 Hz to 6.5 MHz 67 dB, < 1 deg / < 0.5%
<b>Video I/O</b>	BNC, 1V p-p, 75 ohm
<b>Audio Subcarrier I/O</b>	BNC, 1V p-p, 75 ohm
<b>External Audio I/O</b>	Terminal Block, 1V p-p, 10 Kohm
<b>Dimensions</b>	480mm x 225mm x 44mm
<b>Environment</b>	Operating temperature: 0°C to 50°C Storage temperature: -20°C to 70°C Operating humidity: 10% to 90% RH Storage humidity: 5% to 90% RH
<b>Input Power Requirements</b>	Voltage: 110/240V Auto-sense Internal Power