

L-Band Transmitter/Receiver



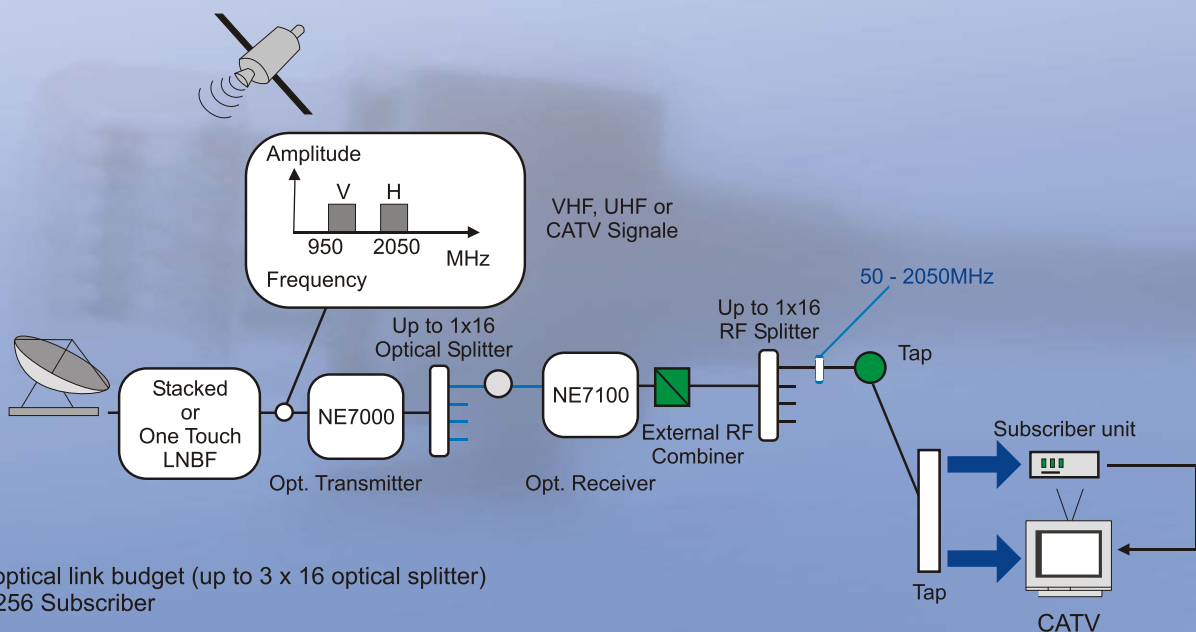
Model **CL-LBAND**

For multiple dwelling units (MDUs) environment, fiberoptic technology promises the more reliable wide band features as well as very low signal attenuation ($< 0.4\text{dB/km}$) through a long distance transmission or a wide area signal distribution and consequently enhances the performance of a multi-user direct broadcast satellite (DBS) L-Band transmission.

Features

- Optical Solution for MDU
- 950 ~ 2050 MHz Bandwidth
- $\geq 0\text{dB}$ system gain (including 13dB optical link budget)
- Optional automatic gain control (AGC) in transmitter
- Supply +12 or + 18V DC to LNB

Example Application



- 13dB optical link budget (up to 3 x 16 optical splitter)
- Up to 256 Subscriber

Optical Parameters

	Transmitter	Receiver
Wavelength	1310 +/- 20nm	1200 ~ 1600nm
Optical Output/Input Power	> 0dBm	> -13dBm
Connector	SC/APC or FC/APC	SC/APC or FC/APC
Return Loss	>55dB	>55dB

RF Parameters

	Transmitter	Receiver
Operating Bandwidth	950 to 2050 MHz	950 to 2050 MHz
Nominal Composite RF Input	-10dBm	
Nominal Composite RF Output		-10 dBm (@13dB optical link budget)
Output/Input Impedance	75 ohm	75 ohm
AGC Range (optional)	10dB	
RF Return Loss	12dB	12dB
RF Connector	F Type	F Type

Specifications

	Transmitter	Receiver
Power Requirement	+9 to +36V DC	+9 to +36V DC
Operational Temperature	-20°C to +60°C	-20°C to +60°C
Storage Temperature	-40°C to +85°C	-40°C to +85°C
Relative Humidity	85% Max	85% Max
Dimensions	76D x 146W x 28H (mm)	76D x 146W x 28H (mm)
Weight	320 +/- 15g	320 +/- 15g
Input IP	≥ -6dBm	
Link Gain	≥ 0dB	
CNR (BW = 27MHz)	≥ 20dB ≥ 25dB ≥ 30dB	-42 dBm input -37 dBm input -32 dBm input